



SWIFT. SILENT. SECURE.

2" SIDE SPACER

INSTRUCTIONS

INCLUDED HARDWARE:

- A. (1) Large Spacer
- B. (2) 1/2" x 4 1/4" Bolts

INSTALLATION TOOLS:

- 3/4" Socket with Ratchet
- 3/4" Wrench

INSTALLATION

STEP 1 Install **Spacer (A)** in between the **MtoS Plate** and **S-Plate FIG 1**. The **Spacer** must be oriented so it lines up with the **MtoS Plate FIG 2**.

STEP 2 Follow the installation instructions in either the **Braced** or **Unbraced Universal Adapter Plate Bolt Set Installation Guide** section **Motor to Side (M to S) Mount Without Jack Plate** (Including Verado Plates). Use **Bolts (B)**.

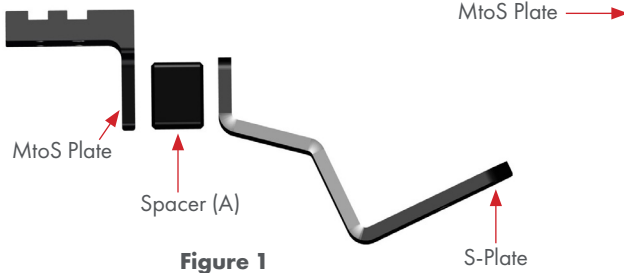
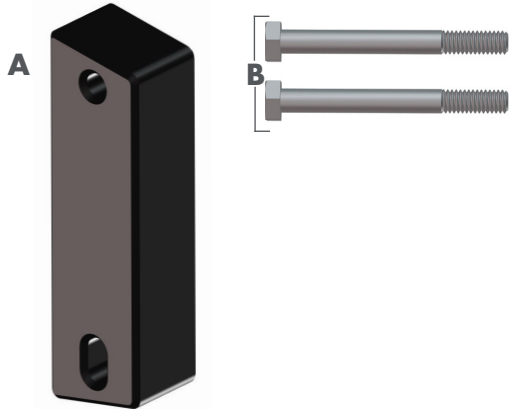


Figure 1

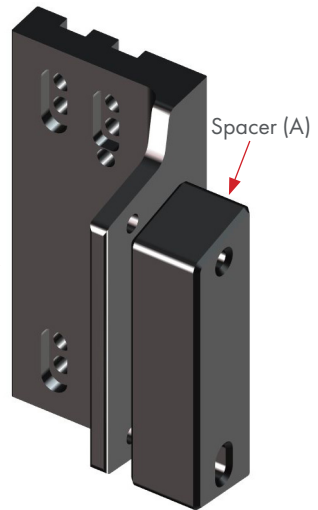


Figure 2

Need help? Contact our Customer Service Team at **1 + 813.689.9932 Option 2**



9010 Palm River Road, Tampa, Florida 33619
phone 813.689.9932 fax 813.689.8883 • power-pole.com
©2021 all rights reserved. Power-Pole Shallow Water Anchor U.S. Patent No. 6,041,730