



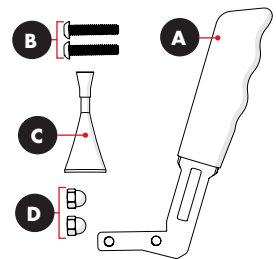
HAND RELEASE INSTALLATION INSTRUCTIONS



TOOLS

- #2 Phillips Screwdriver (x2)
- 7/16" Wrench
- 5/36" Allen Key

| LABEL | DESCRIPTION | QTY. |
|-------|---|------|
| A | Hand Release | 1 |
| B | 1/4 x 20 x 1 1/4" Stainless Steel Button Head Hex Screw | 2 |
| C | Loctite 243 | 1 |
| D | 1/4 x 20 Stainless Steel Cap Nut | 2 |



REMOVE OLD HARDWARE: FIG 1-2

Using a **#2 Phillips Head Screwdriver**, hold one side of the **Binding Screws** that hold the **Foot Pad** in place while using another **#2 Screwdriver** to remove the **(2) Phillips Head Screws**.

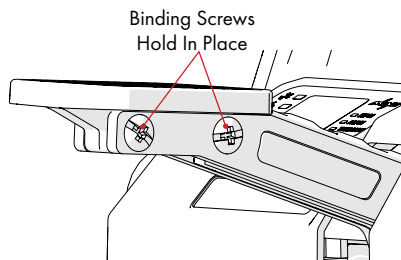


Figure 1

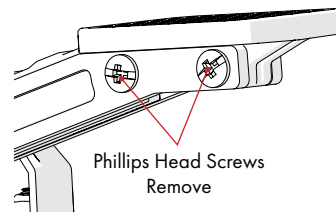


Figure 2

INSTALL HAND RELEASE: FIG 3-4

STEP 1 Line up the holes on the **Hand Release** **A** with those on the **Foot Pedal Arm**. This must be done on the **right side** of the arm.

STEP 2 Install the **(2) Hex Screws** **B** through the **Hand Release** **A** and **Foot Pedal Arm**.

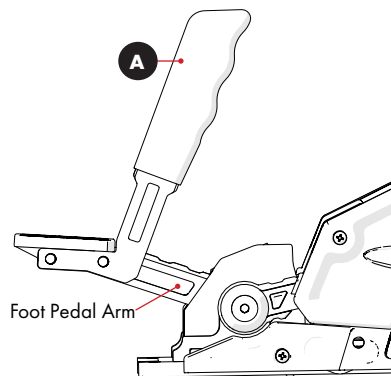


Figure 3

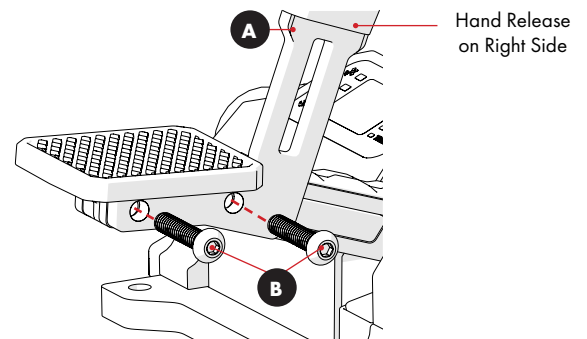


Figure 4

IMPORTANT! Screws must be installed on the hand release side as shown!

Need help? Contact our Customer Service Team at **1 + 813.689.9932 Option 2**



HAND RELEASE INSTALLATION INSTRUCTIONS



INSTALL HAND RELEASE (Continued): FIG 5-6

STEP 3 Apply a drop of **Loctite C** to the threads of each **Cap Nut D**.

STEP 4 Install a **Cap Nut D** onto each **Hex Screw B**.

STEP 5 While holding each **Cap Nut D** with a **7/16" Wrench**, tighten each **Hex Screw B** to **7.5 ft lbs** using a **5/32" Allen Key**.

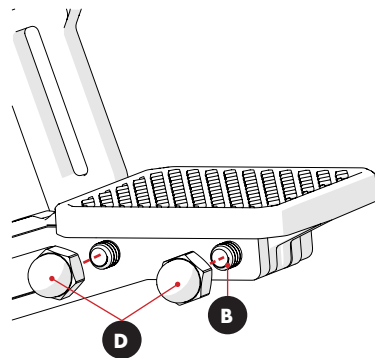


Figure 5

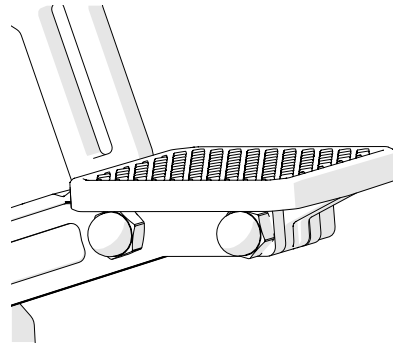


Figure 6