

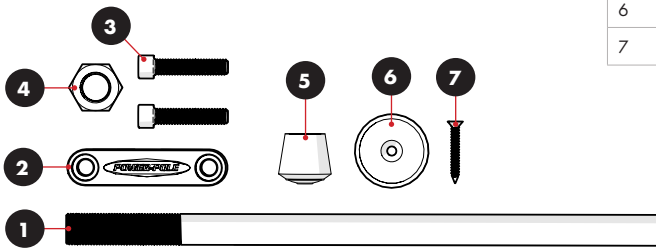


BOUNCE BAR INSTRUCTIONS



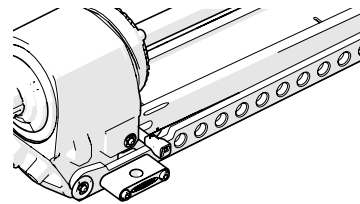
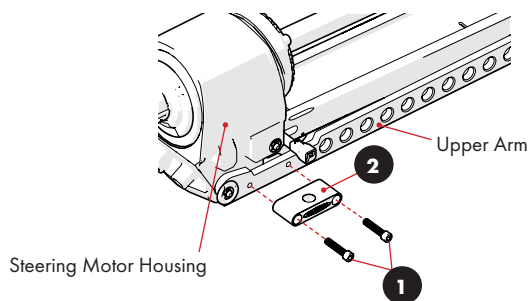
TOOLS:

- 1/4" Allen Key
- 7/64" Drill Bit
- #2 Phillips-Head Bit
- 15/16" Wrench



LABEL	DESCRIPTION	QTY.
1	12" Bounce Bar	1
2	Bounce Bar Mounting Block	1
3	1/4" x 20 x 1 1/4" Mounting Block Bolt	2
4	Retaining Nut	1
5	Bounce Bar Foot	1
6	Landing Pad	1
7	Landing Pad Screw	1

STEP 1 With the unit in its stowed position, install the **Mounting Block 2** and **Mounting Bolts 1** into the upper part of the **Upper Arm** near the Steering Motor Housing. Tighten snug using a 1/4" Allen Key.



Need help? Contact our Customer Service Team at **1 + 813.689.9932 Option 2**

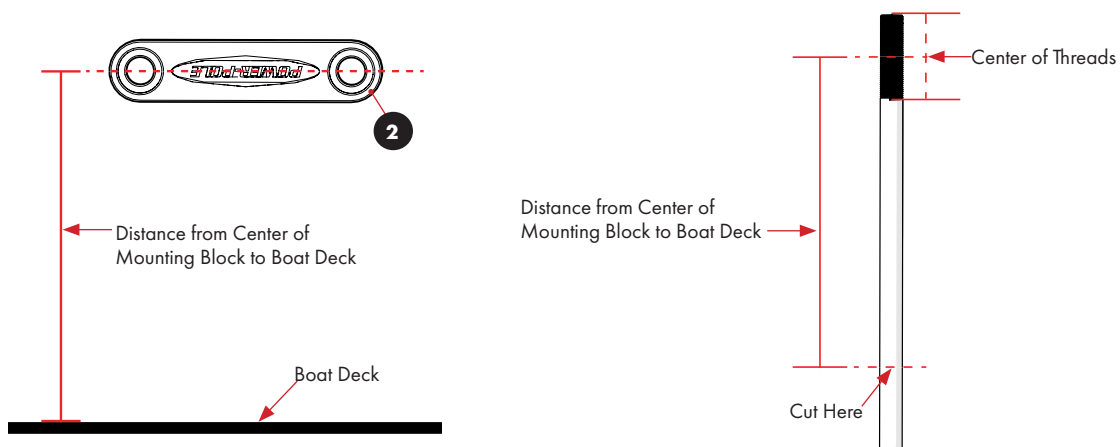


BOUNCE BAR INSTRUCTIONS



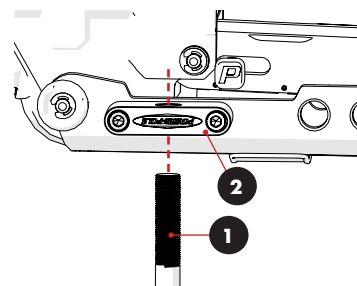
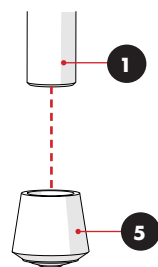
STEP 2 With the unit in its stowed position, measure the distance from the center of the **Mounting Block 2** to the boat deck. This will be the length the **Bounce Bar 1** is cut to.

STEP 3 Find the center of the threads on the **Bounce Bar 1**. Use the measurement found in the previous step to locate the appropriate cutting location.



STEP 4 Install the **Foot 5** onto the **Bounce Bar 1**.

STEP 5 Screw the **Bounce Bar 1** into **Mounting Block 2** until it is roughly level with the boat deck, then place a mark in the center of the point where the rod makes contact with the boat deck. This will mark the location of the **Landing Pad 6** and **Screw 7**.



Need help? Contact our Customer Service Team at **1 + 813.689.9932 Option 2**



BOUNCE BAR INSTRUCTIONS



STEP 6 Using a **7/64" Drill Bit**, drill a hole for **Screw 6**, then install **Landing Pad 7** and **Screw 6**, tightening snug with a **#2 Phillips Head Screwdriver**.

STEP 7 The Upper Arm will have a little bit of play in it when lifted up. The goal of this Bounce Bar is to eliminate that. To ensure the Bounce Bar fits snugly, takes away any play, and holds the unit in place properly, lift up on the Upper Arm until it stops moving, then turn the **Bounce Bar 1** counter-clockwise until it is resting on the boat deck and there is no up-and-down play left.

NOTICE: Ensure Rear Locks still engage when stowed! If Rear Locks do not engage, adjust bounce buster height until they do.

STEP 8 Install the **Retaining Nut 4** and tighten snug using a **15/16" Wrench**.

