



# MOVE PV HD EXTENSION PULPIT (LONG) INSTRUCTIONS

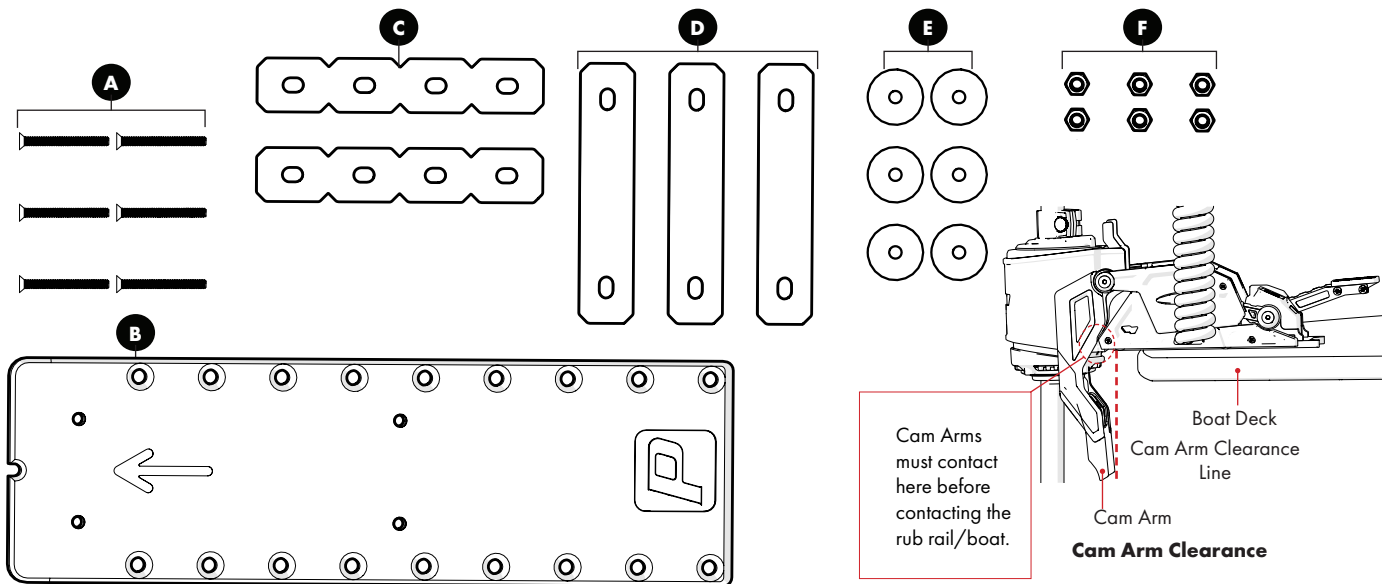


## TOOLS:

- #3 Phillips Head Screwdriver
- 9/16" Socket
- Ratchet
- Electric Drill
- 7/16" Drill Bit

## INCLUDED HARDWARE

QTY.	LABEL	ITEM #	DESCRIPTION
6	A	AVG-MH-SC-0318	3/8"-16, Full Thread, 3", Stainless Flat-Head Phillips Drive Screw
1	B	AVG-MP-0937	Pulpit Plate, Long
2	C	AVG-MP-1100	PV Pulpit Mount Resizable Backer
3	D	AVG-MP-1101	PV Pulpit Mount Standard Backer
6	E	AVG-MH-WS-0306	3/8" Large Stainless Steel Flat Washer
6	F	nut-14-tall	3/8" Brass Tall Nylon Lock Nut



## DETERMINE MOUNTING LOCATION

After reading the **Mounting Parameters** lay the **Pulpit B** on the boat deck and line up the mounting holes on the PV Mounting Template (included with trolling motor) with the holes on the **Pulpit B**. Move the **Pulpit B** into position so the **Cam Arms** have proper clearance and all parameters are met.

## MOUNTING PARAMETERS

- Ensure there are no obstructions or sensitive components where the mounting hardware will be installed.
- Make sure the cam arms can have a full range of motion and will not hit the boat when the unit is deployed.
- Ensure there are no obstructions blocking the motor from fully deploying and stowing.

Need help? Contact our Technical Support Team at **1 + 813.689.9932 Option 2**

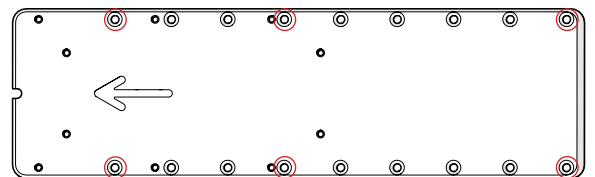


# MOVE PV HD EXTENSION PULPIT (LONG) INSTRUCTIONS



## DRILL PILOT HOLES

Drill Pilot holes for the **Flat Head Screws A** using a **7/16" Drill Bit**. Use the furthest possible forward two holes, the furthest possible back two holes, and two holes that are spaced evenly in between the others.



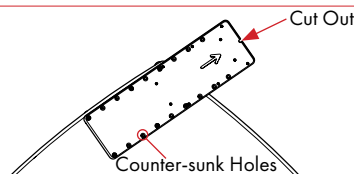
Preferred Mounting Example



Check the area beneath where the Pulpit will be mounted to ensure there are no hoses, wires lines tanks or other sensitive components

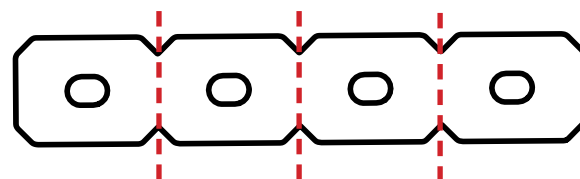
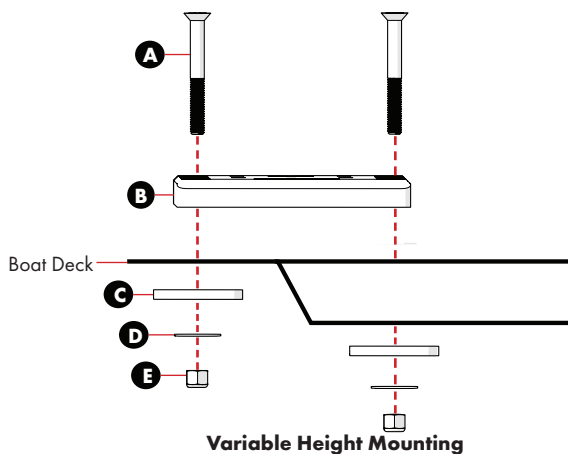
**IMPORTANT!** If installing to gel-coat, follow the drilling procedure in **Appendix D** of the **Installation & Owner's Guide** to ensure you do not crack or chip the gel-coat.

**IMPORTANT!** Make sure the cut-out is facing the front of the boat and the counter-sunk holes are facing upright.



## DETERMINE WHAT BACKERS WILL BE USED

If the back side of your boat deck is flat, the standard **Pulpit Backer D** may be used. However, if some or all screw locations are at varying heights such as seen below, **Pulpit Backer C** will need to be cut and used.



Cutting Location

Need help? Contact our Customer Service Team at **1 + 813.689.9932 Option 2**



# MOVE PV HD EXTENSION PULPIT (LONG) INSTRUCTIONS



## INSTALL PULPIT

Install the Pulpit Mounting Hardware in order. While holding **Screws A** with a **#3 Phillips Head Screwdriver**, tighten hardware snug using a **9/16" Socket & Wrench**.

1. (6) Screws **A**
2. Pulpit **B**
3. Boat Deck
4. Backing Plate **C** or **D**
5. (6) Large Washers **E**
6. (6) Nylon Lock Nuts **F**

Follow the **Mounting the Move PV** Section in the **Installation Owner's Guide**.

