



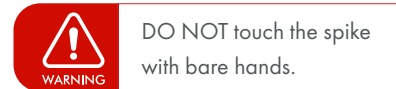
SWIFT. SILENT. SECURE.

# STERN BRACKET REPLACEMENT INSTRUCTIONS

- For Sportsman II Models (2017-Later)
- All Pro II Models
- All Signature Series Models

## Installation Tools:

- 9/16" Wrench
- Ratchet
- Pliers
- 9/16" Socket
- Protective Gloves
- Marine-Grade Sealant



## PRESSURE RELIEF:

**STEP 1** Lower the Power-Pole Anchor® down so the Everflex™ spike is about a foot off the ground.

**STEP 2** Manually push the anchor into closed position, relieving pressure. Manually lower the anchor back to the ground.

## REMOVAL :

**STEP 1** Remove both **Stern Bracket Bolts** and all mounting hardware using a **9/16" Socket & Wrench**. **FIG 1 & 2**

**STEP 2** Remove the **Top & Bottom U-Channels** from the **Stern Bracket**.

**STEP 3** Remove the four **Mounting Bolts** using a **9/16" socket & wrench**. Remove the defective **Stern Bracket**. **FIG 3**

**IMPORTANT!** Replace any hardware that is worn or damaged. Always replace nylon lock nuts. To order proper hardware, scan QR Code A.



QR Code A  
Stern Bracket Hardware

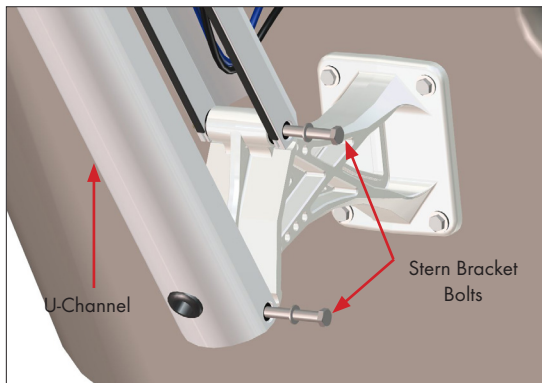


Figure 1

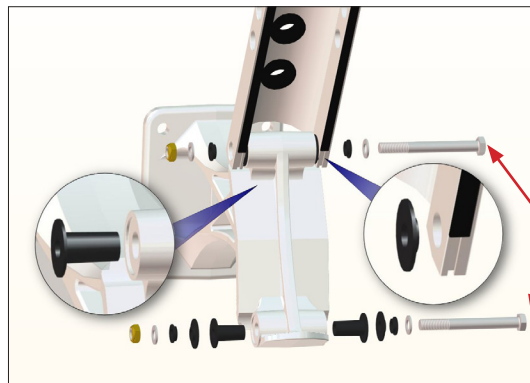


Figure 2

9/16" wrench

## INSTALLATION:

**STEP 1** For transom installations, apply a small amount of Marine Grade Sealant around each Mounting Bolt Hole.

**STEP 2** Install the new **Stern Bracket** and the **Upper & Lower U-Channels** in reverse order of removal. Tighten bolts snug.

**FIG 1-3**

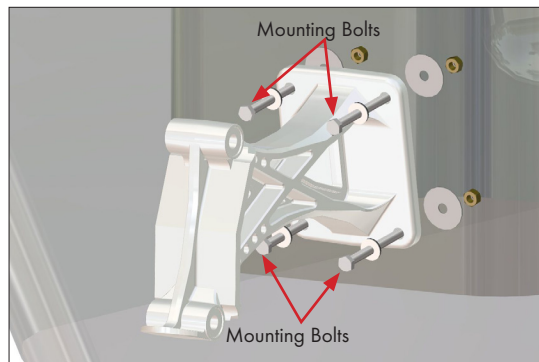


Figure 3

Need help? Contact our Customer Service Team at **1 + 813.689.9932 Option 2**



9010 Palm River Road, Tampa, Florida 33619 • phone 813.689.9932 • fax 813.689.8883 • power-pole.com  
Power-Pole is a registered trademark of JL Marine Systems, Inc. © Copyright 2021 JL Marine Systems, Inc. All Rights Reserved.